

# IQ Series

## Chemical Heater

The Trebor® IQ inline quartz chemical heater provides the ultra-high purity you demand with the reliability you expect.

The IQ's smooth flow path is free of particle traps and constructed entirely of GE 214 quartz PTFE and PFA, making it compatible with all acids, except HF and KOH. The PFA enclosure ensures plenum compatibility and resists corrosion or discoloration.

Simplicity and flexibility are key elements of the IQ heater. The modular design allows heaters to be connected in parallel or series using multiple voltage and fitting options to achieve your desired capacity. Our patented sealing technology not only protects against fluid leaks, but eliminates the breakage commonly associated with fragile quartz connections. Plus, there are no o-rings to service or replace.

### Construction

- ▶ Quartz/PFA fluid path for clean operation
- ▶ Multiple fitting options to adapt to any application
- ▶ No metal contamination risk
- ▶ No particle traps
- ▶ SEMI S2, S3, and CE certified
- ▶ One-year warranty



Heating modules may be combined to achieve desired capacity.

### Performance Summary

	English	Metric
<b>IQL — Low Temperature</b>		
▶ Maximum pressure	80 psig	.55 MPa
▶ Maximum chemical operating temperature	212 °F	100 °C
<b>IQH — High Temperature</b>		
▶ Maximum pressure	45 psig	.31 MPa
▶ Maximum chemical operating temperature	392 °F	200 °C

### Options and Ordering

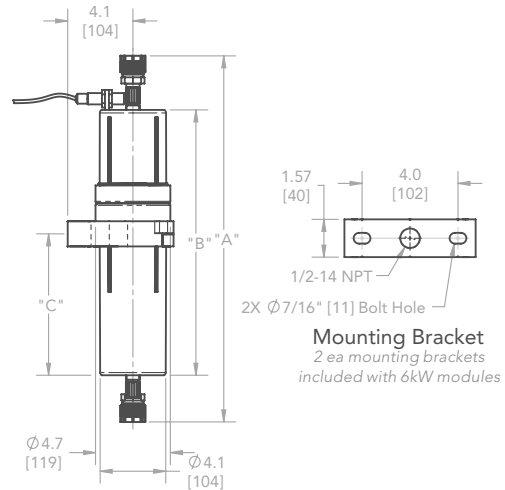
Use the code numbers for ordering the following options for your IQ Series Chemical Heater.

MODEL	IQL	IQ Chemical Heater 100 °C
	IQH	IQ Chemical Heater 200 °C
CONFIGURATION	03V208S	3 kW, 208 VAC, Single Φ
	03V400Y	3 kW, 400 VAC, 3 Φ Wye
	04V208S	4 kW, 208 VAC, Single Φ
	04V400Y	4 kW, 400 VAC, 3 Φ Wye
	06V400S	6 kW, 400 VAC, Single Φ
	06V400D	6 kW, 400 VAC, 3 Φ Delta
FLUID CONNECTION	B08	1/2" PureBond - 1/2" Gripper
	B12	3/4" PureBond - 1/2" Gripper
	F08	1/2" Flare - 1/2" Flare
	F12	3/4" Flare - 1/2" Flare
	X12	3/4" Super 300 Pillar - 1/2" Pillar
	X08	1/2" Pillar
LOW LIQUID LEVEL SENSORS	A	None
	B	Capacitive
	C	Optic
LEAK SENSORS	A	N/O 24vdc Conductive
	B	N/C 24vdc Conductive
OVER-TEMP SAFETY SENSORS	A	J-Type T/C
	B	PT1000 (RTD)
OPTIONS	00	No Option

Example of an order number based on configuration options:

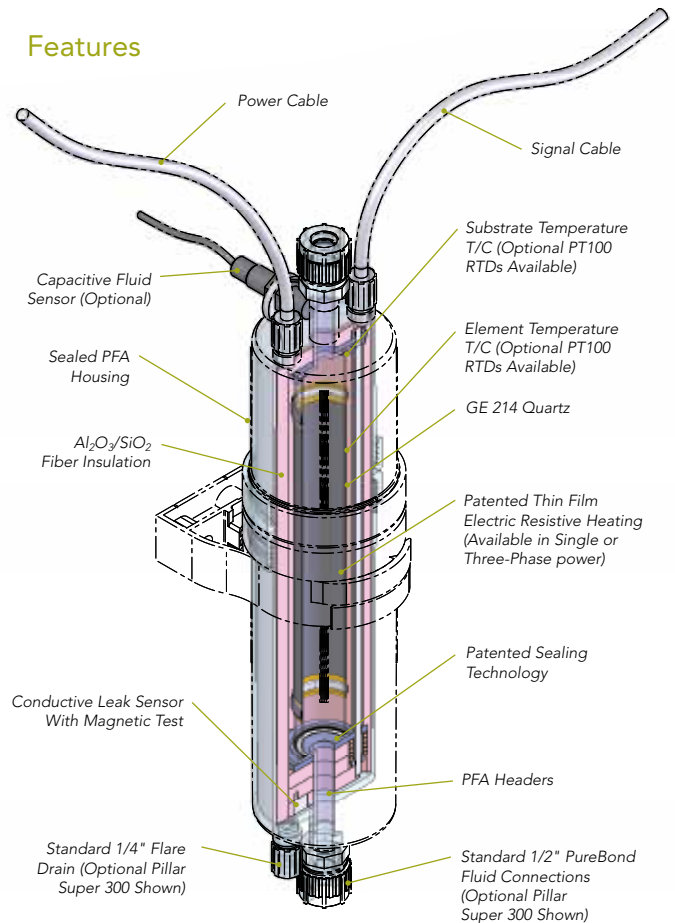
IQL	03V400Y	F12	A	C	A	00
-----	---------	-----	---	---	---	----

### Dimensions in Inches (mm)



	Height			Weight
	"A"	"B"	"C"	
6kW	30.0 [762]	23.3 [592]	9.8 [249]	7.6 lbs
3kW & 4kW	23.4 [594]	16.7 [424]	8.9 [226]	4.9 lbs

### Features



Trebor® and the Trebor logo are registered trademarks of IDEX Corporation ©2010 Trebor, Inc., A Unit of IDEX Corporation

T13/IDX1138/08.10